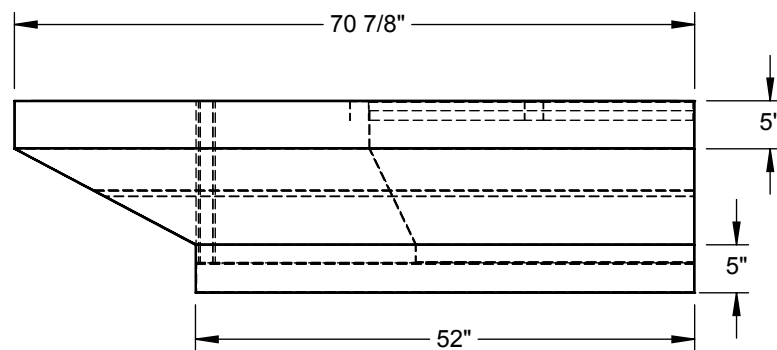
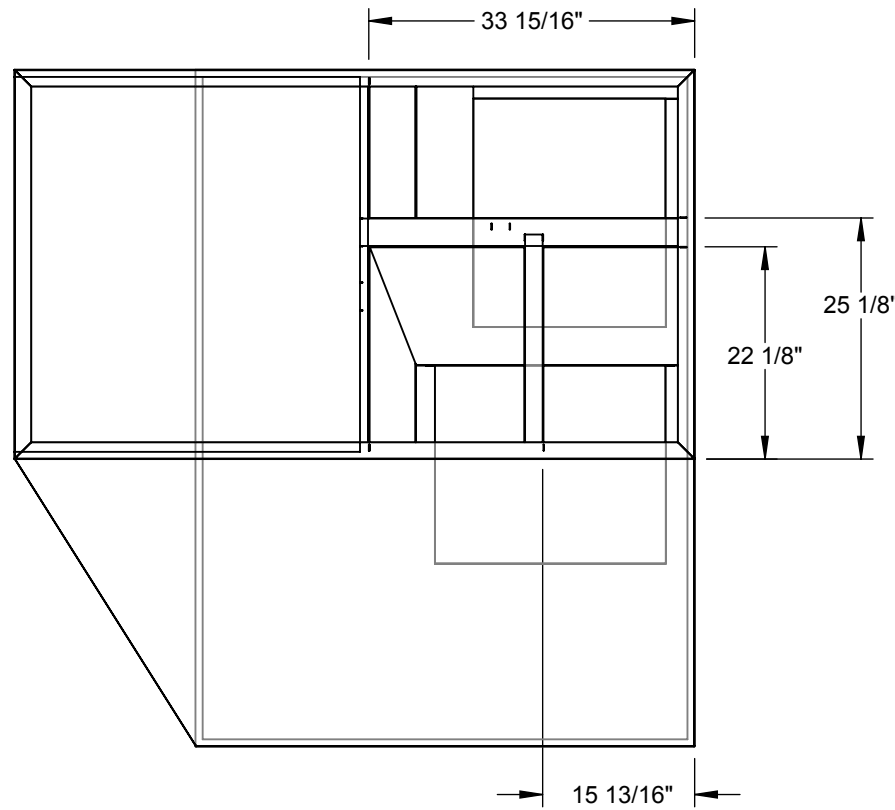


OPTIONS:
MATERIAL: 18ga. GALV STEEL
INSULATED PANELS (WHERE REQUIRED)
1" 1-1/2LB DUCT INSULATION (R VALUE 3.85)
GASKET PROVIDED WITH CURB
1 1/2" ADDED TO EXISTING CURB O.D.

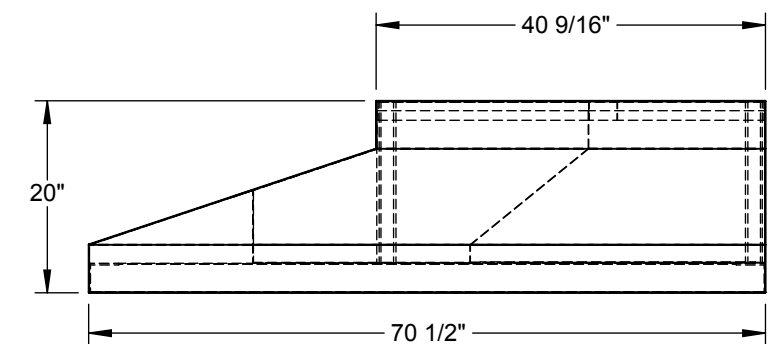
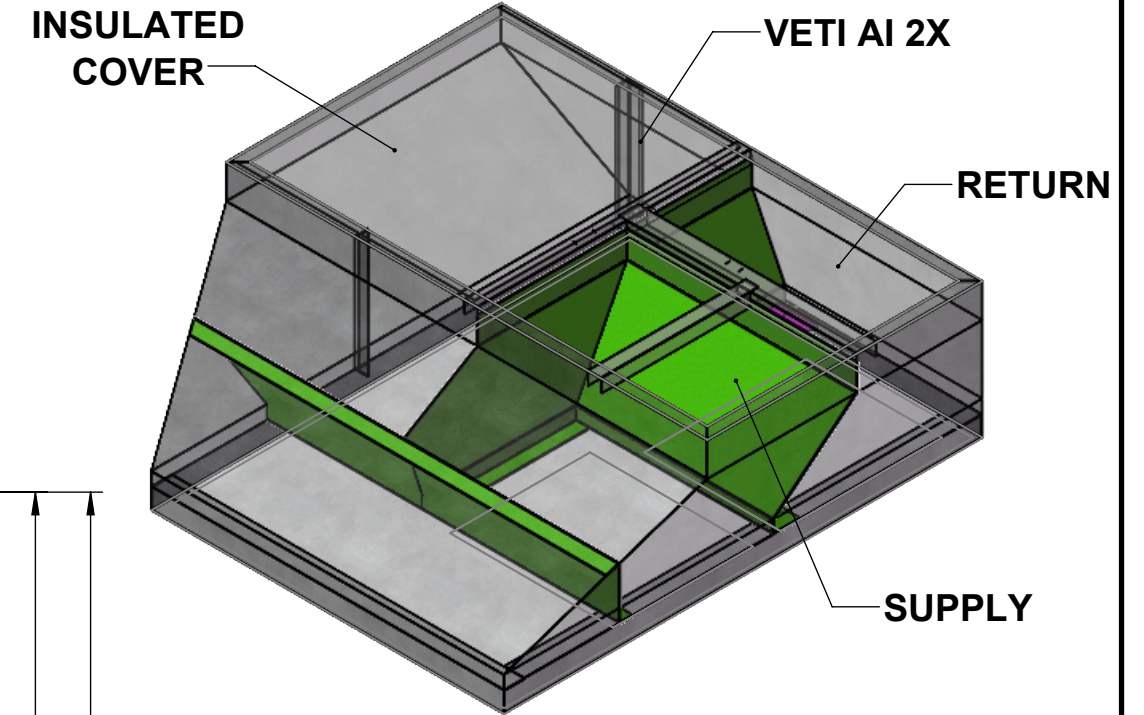
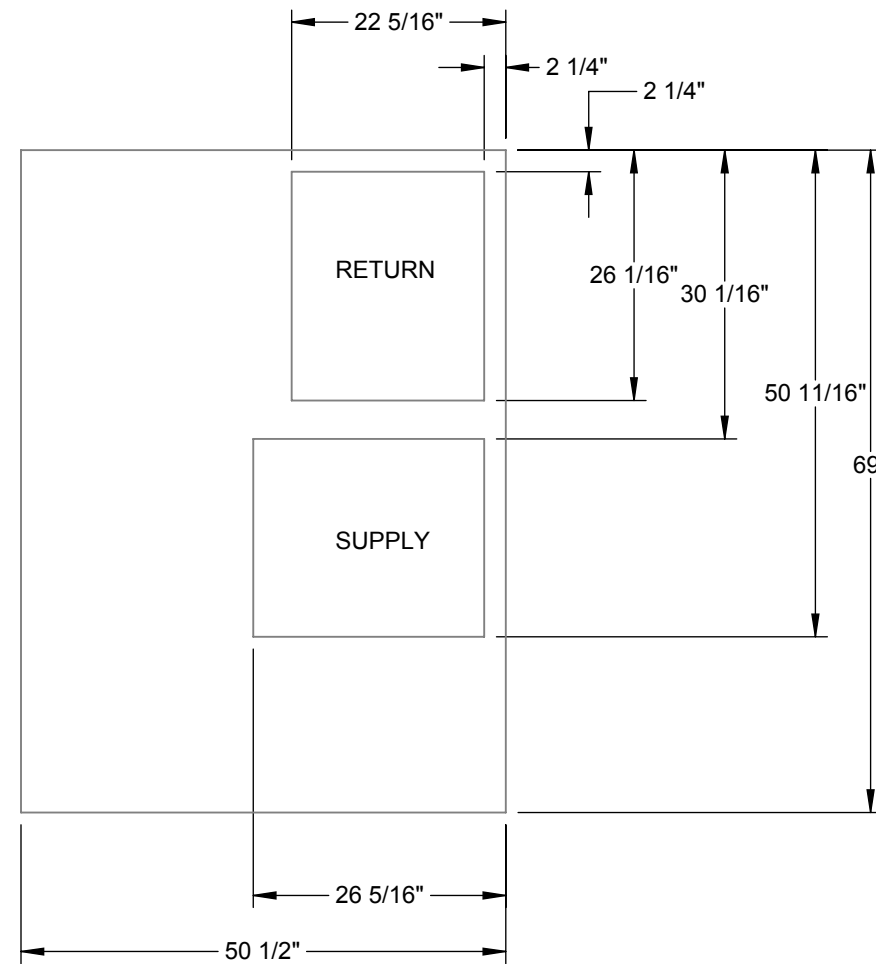
DIMENSIONED AND TOLERENCED PER ANSI Y14.5M-1982

REVISIONS				
REV.	ECO#	DESCRIPTION	DATE	APPROVED
1		INITIAL DRAWING	4/21/2010	EH
2		UPDATE 3X3 HEM	2/20/2019	HMH

Attn: _____
 Tag: _____
 Approval: _____



EXISTING CURB LAYOUT



CURB SHOWN IS CDI STANDARD CONFIGURATION CDI RESERVES THE RIGHT TO CHANGE LAYOUT WITHOUT NOTIFICATION. IF CURB IS NEEDED IN A DIFFERENT CONFIGURATION CDI MUST BE NOTIFIED PRIOR TO PLACING AN ORDER.

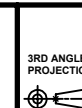
OPERATIONAL HEIGHT OF CDI ADAPTER IS 3" LESS THAN OVERALL CURB HEIGHT SHOWN.

THIS DRAWING & THE INFORMATION CONTAINED THEREIN IS THE CONFIDENTIAL, PROPRIETARY INFORMATION OF CRYSTAL DISTRIBUTION INC., & MAY NOT BE USED OR REPRODUCED WITHOUT THE APPROVAL OF CRYSTAL DISTRIBUTION, INC. ALL RIGHTS RESERVED

APPROVALS		DATE
DRAWN: hhom		2/19/2019
CHECKED:		

TITLE/FILE NAME:
1-2005-4000

- *VERIFY EXISTING CURB OD
- *VERIFY SUPPLY AND RETURN OPENINGS
- *NOTE ANY CHANGES
- *CALL WITH ANY QUESTIONS
- *FAX BACK IF DRAWING IS OK AS IS




 Contact us @
www.cdicurbs.com
 or
 1-888-234-7001

APPROXIMATE CURB WEIGHT (LBS.) 123.50	ECO #:	REV: 1
SCALE: 1:20	SHEET: 1 OF 12	